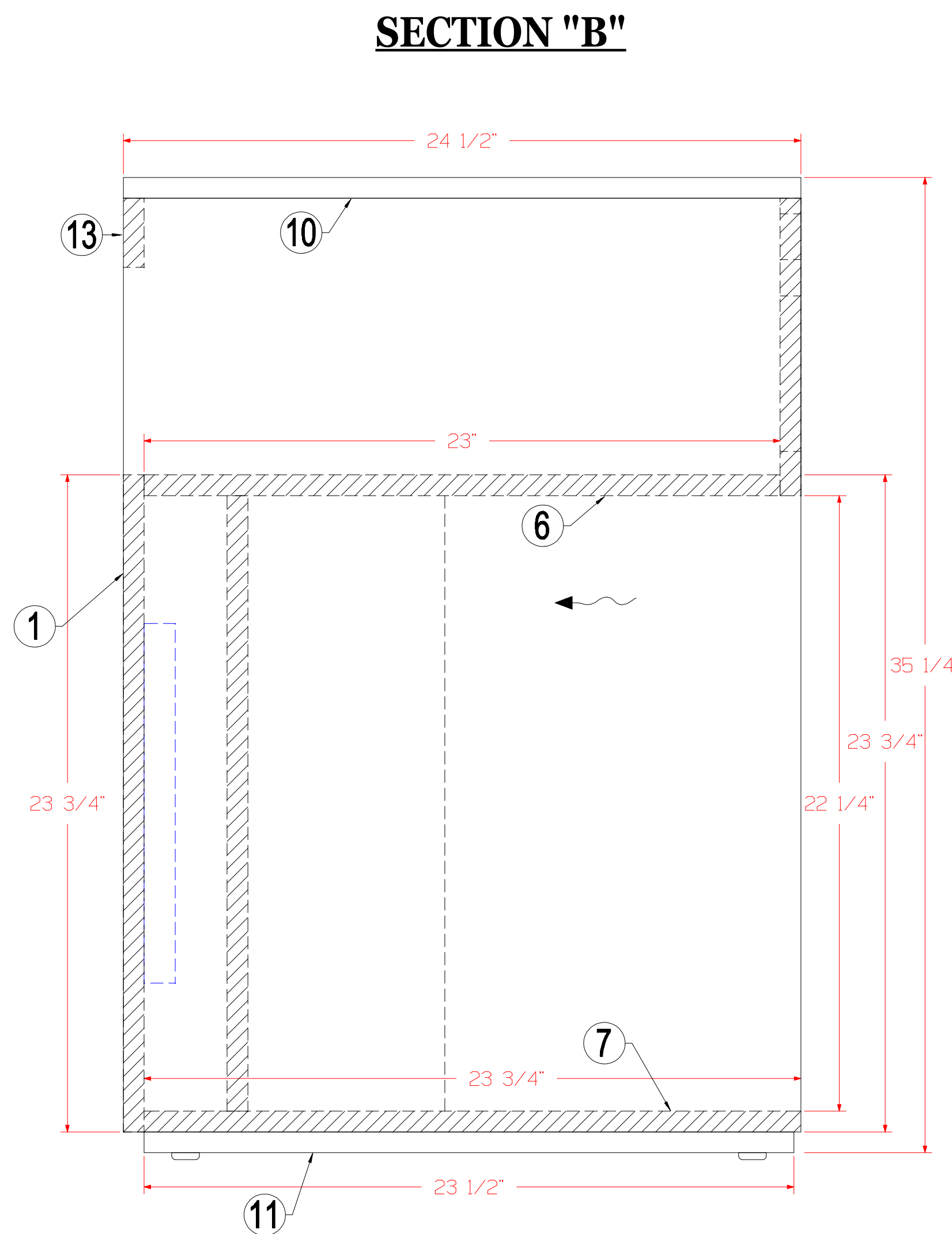
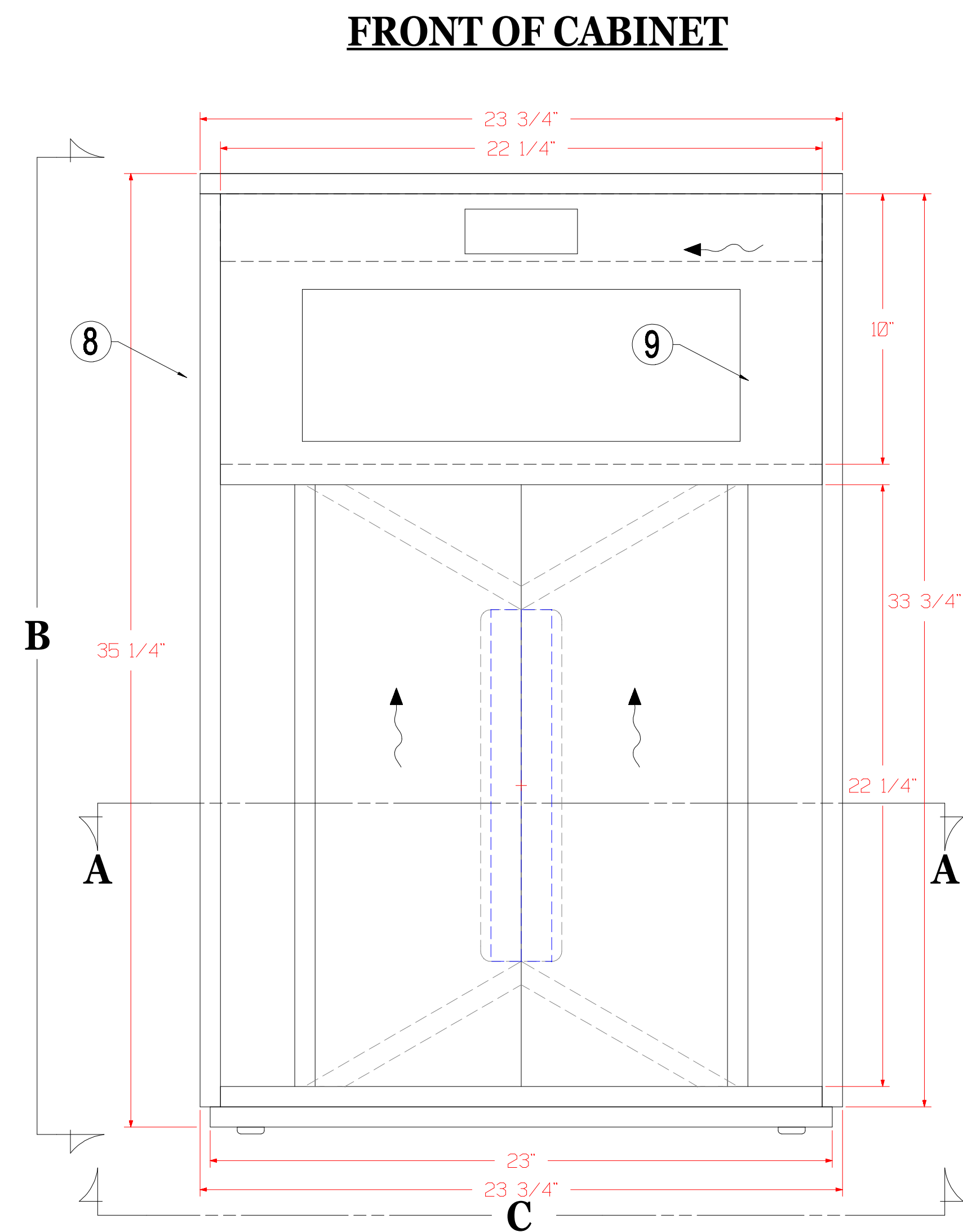


①	1	23 3/4" BY 22 1/4"	BACK
②	4	9 1/4" BY 3"	RAMPS
③	1	13" BY 2 1/4" BY 1 1/4"	DEFLECTOR
④	2	22 1/4" BY 7 1/2"	CHAMBER SIDES
⑤	2	22 1/4" BY 16 9/16"	CHAMBER ANGLE SIDES
⑥	1	22 1/4" BY 23"	CHAMBER TOP
⑦	1	22 1/4" BY 23 3/4"	CHAMBER BOTTOM
⑧	2	33 3/4" BY 24 1/2"	SIDES
⑨	1	22 1/4" BY 10 3/4"	UPPER BAFFLE
⑩	1	23 3/4" BY 24 1/2"	TOP
⑪	1	23 1/2" BY 23"	BOTTOM/COVER
⑫	1	22 1/4" BY 15 1/4"	MOTORBOARD
⑬	1	22 1/4" BY 2 1/2"	TOP REAR BRACE



NOTE: ALL SHEET MATERIAL IS 3/4" BIRCH PLYWOOD

↗ = DIRECTION OF WOOD GRAIN

